

Industrial version 8150



J E R O S P R E S E N T S
JEROS FLEXIBLE
CLEANING IS OUR STRENGTH



**You choose the size
machine to suit your require-
ments, and at the same time
you get all the known
JEROS-advantages**



Individual adaptation of the working area



Reversible strong mesh base enabling wash items to pass through the system without any lifting.

JEROS industrial version 8150

- ✓ Individual adaptation according to the requirements from the customers.
- ✓ Wash volume up to H = 940 x W = 1340 x D = 800 mm.
- ✓ The maximum working area available with automatic opening of the cover lid.
- ✓ Fitted with 2 strong wash pumps.
- ✓ Table systems, roller tables and specific accessories can be supplied by request.
- ✓ Includes all the known JEROS-advantages. Further information is available from the 8120/8130



Automatic lid opening system



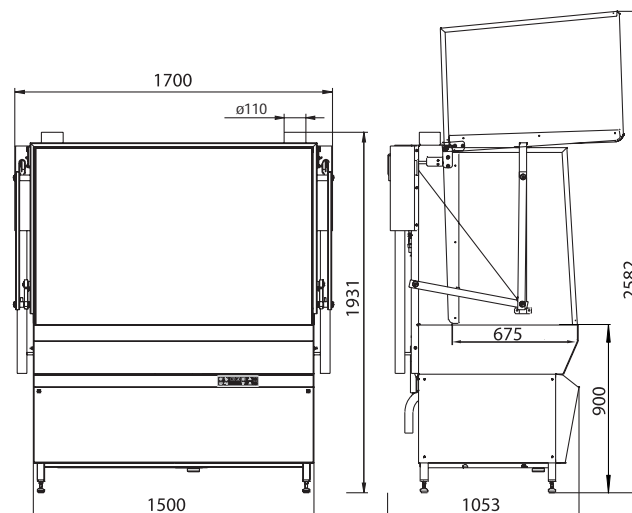
Removable operating panel

Technical data

8150

Drain dimension	Ø mm
Voltage	Volt+E/Hz
Connecting power (standart)	kW
Water connection	R"
Wash time	Min.
Wash area	HxWxD
Wash tank volume	Litre
Rinse time	apprx. sec.
Rinse tank volume	apprx. litre
Rinse water temperature	apprx. °C
Water consumption per wash/rinse	apprx. litre

40
400 / PE / 50
18,5
1/2
2 - 4 - 6
940x1340x800
165
30
31
85
16



JEROS INHOUSE - 01.2005
Technical specifications are subject to alteration.



JEROS A/S

Nyborgvej 8
DK-5750 Ringe

Tel: 0045 63 62 39 13
Fax: 0045 62 62 33 01

E-mail: jeros@jeros.dk
Http: //www.jeros.com